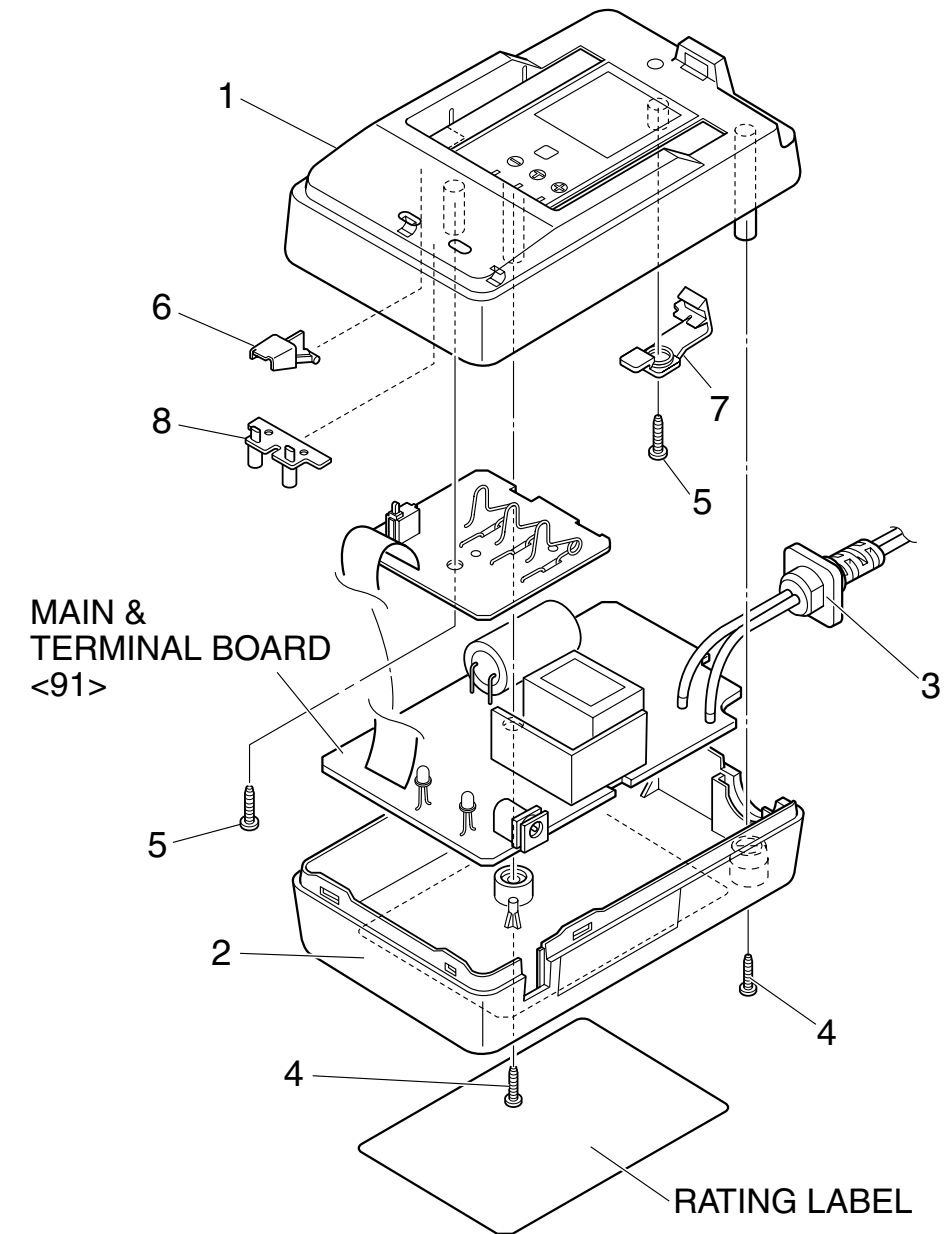


SECTION 6 AC POWER ADAPTER (AA-V100U)

SAFETY PRECAUTION

Parts identified by the \triangle symbol are critical for safety. Replace only with specified part numbers.

6.1 CABINET ASSEMBLY <MA>



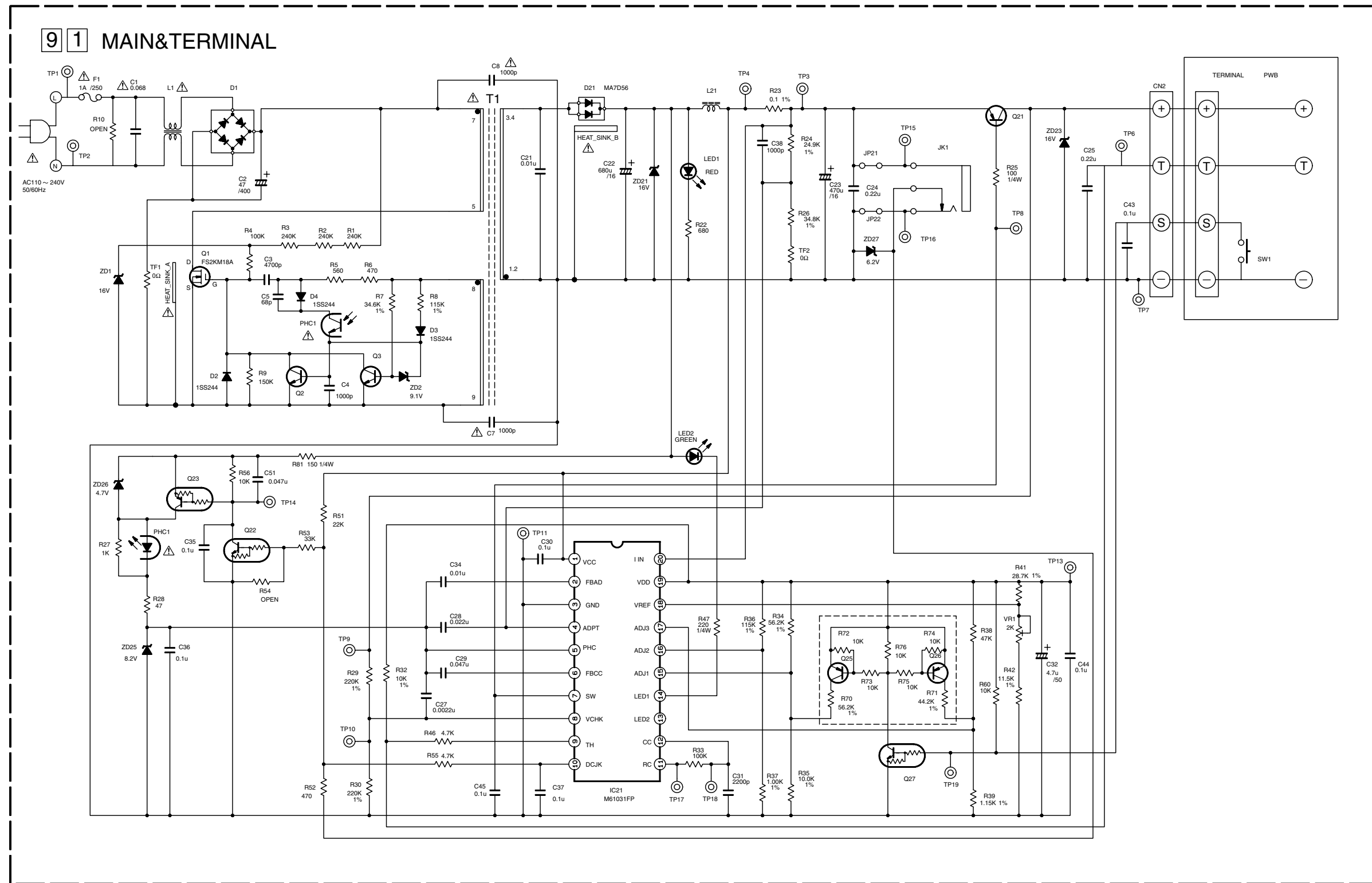
#	\triangle REF No.	PART No.	PART NAME, DESCRIPTION

CABINET ASSEMBLY <MA>

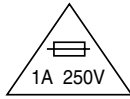
\triangle	1	LY32286-001A	UPPER CASE
\triangle	2	PTY20483-021	LOWER CASE
\triangle	3	PTY20290-040	AC POWER CORD
	4	YQ10531-011	TAP SCREW, X2 LOWER
	5	PTY20545-055	TAP SCREW, X2
	6	PTY20754-052	SWITCH COVER
	7	PTY20754-054	LOCK LEVER
	8	PTY20754-055	LENS

NOTE: when ordering parts, be sure to order according to the Part Number indicated in the Parts List.

Safety precautions
 The components identified by the symbol \triangle are critical for safety. For continued safety, replace safety critical components only with manufacturer's recommended parts.

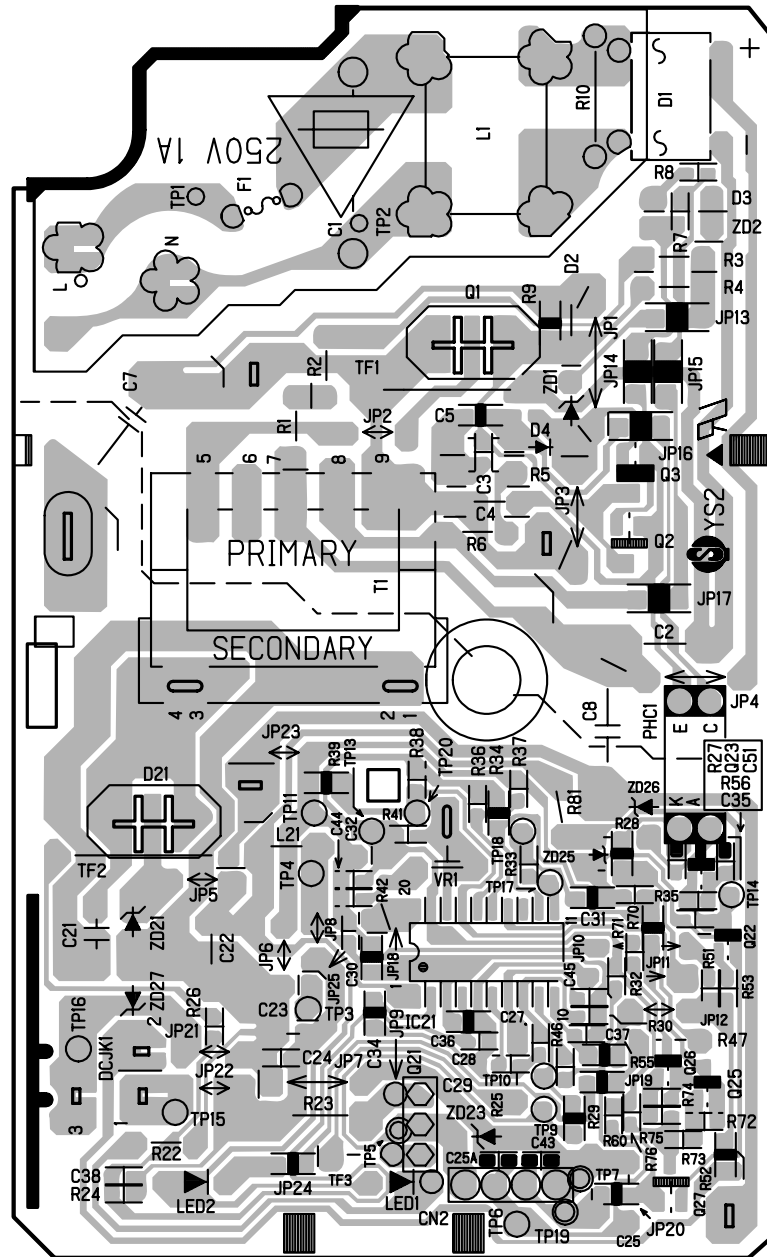


6.3 CIRCUIT BOARD



CAUTION:
FOR CONTINUED PROTECTION AGAINST
FIRE HAZARD, REPLACE ONLY WITH SAME
TYPE AND RATED FUSE.

ATTENTION:
POUR UNE PROTECTION PERMANENTE
CONTRE LES RISQUE D'INCENDE,
REPLACER LES FUSIBLE PAR UN AUTRE
DE MEME TYPE ET DE MEME TENSION.



6.4 ELECTRICAL PARTS LIST

#	△ REF No.	PART No.	PART NAME, DESCRIPTION

MAIN & TERMINAL BOARD ASSEMBLY <91>			
△	PW1	PTY20754-502	MAIN & TERMINAL BOARD ASSY
	IC21	M61031FP	Charge control IC 20pin SOP
	Q1	FS2KM18A	MOS FET
	Q2	2SD2226KT146	TRANSISTER
	Q3	2SD2226KT146	TRANSISTER
	Q22	DTC114YUA-X	DIG.TRANSISTOR
	Q23	DTA114YUA-X	DIG.TRANSISTOR
	Q25	2SA1576A/QR/-X	TRANSISTOR
	Q26	2SA1577A/QR/-X	TRANSISTOR
	Q27	UN2211TX	DIG.TRANSISTOR
	D1	S1WBA60	B. DIODE 600V 1A
	D2	1SS244T77	DIODE 200V 0.2A
	D3	1SS244T77	DIODE 200V 0.2A
	D4	1SS244T77	DIODE 200V 0.2A
	D21	MA7D56	DIODE 60V 10A
	ZD1	MTZJ16T-77	ZENER DIODE 16V 500mW
	ZD2	MTZJ9.1B	ZENER DIODE 9.1V 500mW
	ZD21	MTZJ16T-77	ZENER DIODE 16V 500mW
	ZD23	MTZJ16T-77	ZENER DIODE 16V 500mW
	ZD25	MA4082N/M/-T2	ZENER DIODE 8.2V 500mW
	ZD26	MA4047NM	ZENER DIODE 4.7V 500mW
	ZD27	MTZJ6.2B-T2	ZENER DIODE 6.2V 500mW
	LED1	YQ10531-540	LED RED POWER
	LED2	YQ10531-542	LED GREEN CHARGE
	R1	QRE141J-244Y	RESISTOR 240KΩ 1/4W
	R2	QRE141J-244Y	RESISTOR 240KΩ1/4W
	R3	QRE141J-244Y	RESISTOR 240KΩ 1/4W
	R4	QRE141J-104Y	RESISTOR 100kΩ 1/4W
	R5	QRE141J-561Y	RESISTOR 560Ω 1/4W
	R6	QRE141J-471Y	RESISTOR 470Ω 1/4W
	R7	NRSA63F-3482X	MG RESISTOR 34.8kΩ 1/16W 1%
	R8	NRSA63F-1153X	MG RESISTOR 115kΩ 1/16W 1%
	R9	NRSA63J-154X	MG RESISTOR 150kΩ 1/16W
	R22	QRE141J-681Y	RESISTOR 680Ω 1/4W
	R23	QRZ0192-R10X	MF RESISTOR 0.1Ω 1W 2%
	R24	NRSA63F-2492X	MG RESISTOR 24.9kΩ 1/16W 1%
	R25	QRE141J-101Y	RESISTOR 100Ω 1/4W
	R26	NRSA63F-3482X	MG RESISTOR 34.8kΩ 1/16W 1%
	R27	NRSA63J-102X	MG RESISTOR 1kΩ 1/16W
	R28	NRSA63J-470X	MG RESISTOR 47Ω 1/16W
	R29	PTY20754-511	MG RESISTOR 220kΩ 1/16W 1%
	R30	PTY20754-511	MG RESISTOR 220kΩ 1/16W 1%
	R32	PTY20754-512	MG RESISTOR 10kΩ 1/16W 1%
	R33	NRSA63J-104X	MG RESISTOR 100kΩ 1/16W
	R34	NRSA63F-5622X	MG RESISTOR 56.2kΩ 1/16W 1%
	R35	PTY20754-512	MG RESISTOR 10kΩ 1/16W 1%
	R36	NRSA63F-1153X	MG RESISTOR 115kΩ 1/16W 1%
	R37	PTY20754-513	MG RESISTOR 1.00kΩ 1/16W 1%
	R38	PTY20754-514	MG RESISTOR 47kΩ 1/16W 1%
	R39	NRSA63F-1151X	MG RESISTOR 1.15kΩ 1/16W 1%
	R41	NRSA63F-2872X	MG RESISTOR 28.7kΩ 1/16W 1%
	R42	NRSA63F-1152X	MG RESISTOR 11.5kΩ 1/16W 1%
	R46	NRSA63J-472X	MG RESISTOR 4.7kΩ 1/16W

#	△ REF No.	PART No.	PART NAME, DESCRIPTION
	R47	QRE141J-221Y	RESISTOR 220Ω 1/4W
	R51	NRSA63J-223X	MG RESISTOR 22kΩ 1/16W
	R52	NRSA63J-471X	MG RESISTOR 470Ω 1/16W
	R53	NRSA63J-333X	MG RESISTOR 33kΩ1/16W
	R55	NRSA63J-473X	MG RESISTOR 47kΩ 1/16W
	R56	NRSA63J-103X	MG RESISTOR 10kΩ 1/16W
	R60	NRSA63J-103X	MG RESISTOR 10kΩ 1/16W
	R70	NRSA63F-5622X	MG RESISTOR 56.2kΩ 1/16W 1%
	R71	NRSA63F-4422X	MG RESISTOR 44.2kΩ 1/16W 1%
	R72	NRSA63J-103X	MG RESISTOR 10kΩ 1/16W
	R73	NRSA63J-103X	MG RESISTOR 10kΩ 1/16W
	R74	NRSA63J-103X	MG RESISTOR 10kΩ 1/16W
	R75	NRSA63J-103X	MG RESISTOR 10kΩ 1/16W
	R76	NRSA63J-103X	MG RESISTOR 10kΩ 1/16W
	R81	QRE141J-150Y	RESISTOR 150Ω 1/4W
△	C1	PTY20292-303	F CAPACITOR 0.068μF275V
	C2	YQ10626-402	E CAPACITOR 47μF400V
	C3	NCB31HK-472X	CAPACITOR 4700pF 50V
	C4	PTY20754-521	F CAPACITOR 1000pF 50V
	C5	NDC31HJ-680X	CAPACITOR 68pF 50V
△	C7	PTY20292-368	CAPACITOR 1000pF 250V
△	C8	PTY20292-368	CAPACITOR 1000pF 250V
	C21	PTY10067-657	CAPACITOR 0.01μF250V
	C22	PTY20292-321	E CAPACITOR 680μF16V
	C23	QETL1CM-477	E CAPACITOR 470μF16V
	C24	PTY20754-522	CAPACITOR 0.22μF16V
	C25	QFLA1HJ-224	F CAPACITOR 0.22μF50V
	C27	NCB31HK-222X	CAPACITOR 0.0022μF50V
	C28	NCB31EK-223X	CAPACITOR 0.022μF25V
	C29	PTY20754-523	CAPACITOR 0.047μF25V
	C30	PTY20754-524	CAPACITOR 0.1μF50V
	C31	NCB31HK-222X	CAPACITOR 0.0022μF50V
	C32	QEHA1HM-475	E CAPACITOR 4.7μF50V
	C34	PTY20754-525	CAPACITOR 0.01μF50V
	C35	PTY20754-526	CAPACITOR 0.1μF16V
	C36	PTY20754-526	CAPACITOR 0.1μF16V
	C37	PTY20754-524	CAPACITOR 0.1μF50V
	C38	NCB31HK-102X	CAPACITOR 0.001μF50V
	C43	PTY20754-524	CAPACITOR 0.1μF50V
	C44	PTY20754-524	CAPACITOR 0.1μF50V
	C45	PTY20754-526	CAPACITOR 0.1μF16V
	C51	NCB31CK-473X	CAPACITOR 0.047μF16V
△	L1	PTY20450-401	LINE FILTER
	L21	PTY10067-703	COIL
△	PHC1	PC817X1	PHOTO COUPLER
△		or PC817A	PHOTO COUPLER
△	T1	PTY20754-531	SW TRANS
	VR1	PTY20483-101	VOLUME 2kΩ
	JK1	YQ21032-301	DC JACK
△	F1	PTY20450-041	FUSE 1A 250V
△	HS1	PTY20483-071	HEAT SINK A
△	HS2	PTY20591-072	HEAT SINK B
	OT1	PTY10067-551	TAP SCREW,X2(HEAT SINK)
	SW1	PTY20545-662	SWITCH
	WR1	PTY20591-052	FLAT CABLE(4P)
	TB1	PTY20754-053	BATTERY TERMINAL,X3